

**Please Print in the April 8 and 15, 2021  
Edition of the Haddam News.**

**SPECIAL PLANNING and ZONING PUBLIC HEARING**

The Planning and Zoning Commission of Haddam, Connecticut will hold a Public Hearing at the former Haddam Elementary School, 272 Saybrook Road, Higganum CT on April 22, 2021 at 7:00 p.m. to act upon the following item(s):

- a. *Request for Special Permit to allow conversion of a two car garage to an in-law apartment.  
130 Pokorny Rd, Map43 lot26-6 Applicant: Jeff Shackett*
- b. *Request for Special Permit for allow a satellite med-spa in home office.  
29 Devonshire Ln, Map16 lot 12-3 Applicant: Lauren Hebert*
- c. *Request for a special permit to allow for demolition of residential structure listed on Haddam Survey of  
Historical and Architectural Resources. 140 Dublin Hill Rd. Map 06/ Lot 042 Applicant: Tim Brewer*
- d. *Request Special Permit to replace signs at Dunkin Donuts for rebranding, section 17.5.  
82 Bridge Rd, Map 49 lot 34-1 Applicant: Poyant Signs*

Said application is on file in the Land Use Office of the Town of Haddam and on the web site at [www.haddam.org](http://www.haddam.org).

Planning and Zoning Commission, Haddam CT

PLANNING AND ZONING COMMISSION  
TOWN OF HADDAM  
30 FIELD PARK DRIVE  
HADDAM, CT 06438  
APPLICATION FOR SPECIAL PERMIT

# 4

MAP 49 LOT 341 LOCATION 82 Bridge Rd - (Punkin Donuts)

APPLICANT: Bill Gavigan - Poxant Signs PHONE: 860-324-1353  
ADDRESS: 125 Samuel Barnett Blvd New Bedford MA 02745

OWNER: Haddam Comm. Dev. Company LLC PHONE: Michael Spright - 860-345-7545  
ADDRESS: \_\_\_\_\_

ZONE: \_\_\_\_\_ DEED REFERENCES: Volume \_\_\_\_\_ Page \_\_\_\_\_

Zoning regulations under which this application is being made: 17.5

Completely describe the proposed activities, uses, and structures for which this application is being made: Signage Rebranding - Sec Package

Please include the following items with your application:

- 6. Application Form
- 7. Site Plan (as indicated in the Haddam Zoning Regulations)
- 8. Wetland Agency Permit or Statement from the Wetland Enforcement Officer
- 9. Any other State, Federal or Local permits required
- 10. Application Fee

Are there any waivers requested as part of this application? Yes \_\_\_\_\_ No   
If yes please explain: \_\_\_\_\_

The owner applicant hereby grant the Haddam and Zoning Commission, and/or it's designated agent, permission to enter the property for which this permit is requested for the propose of inspection and enforcement of the Haddam Zoning Regulations.

[Signature]  
APPLICANT

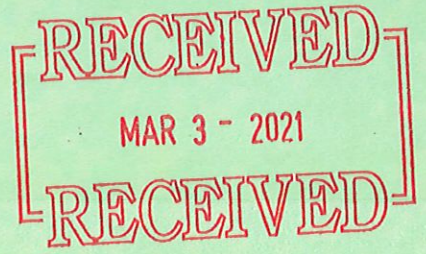
3/3/21  
DATE

See ULA  
OWNER

\_\_\_\_\_  
DATE

ADMINISTRATIVE USE ONLY:

DATE RECEIVED: 3/3/2021 FEE \$ 150 CHECK# 3087 CASH \_\_\_\_\_  
REV. 2/13/03





Corporate Office  
125 Samuel Barnett Boulevard  
New Bedford, MA 02745  
  
Northern New England  
3 Bud Way #19  
Nashua, NH 03063



Landlord Authorization

Date: 2/24/21

To whom it may concern:

I Haddam Commons Development Company, LLC

Owner of the property located at 82 Bridge Rd  
Haddam, CT

Do hereby consent to allow Poyant Signs, Inc. to act on my behalf pertaining to permitting and installation of signs and/or awnings for the property named above.

Sincerely,

By: Michael W. Epright, Its Managing Member

Address: 98 Bridge Rd., Haddam CT 06438

Telephone: 860-345-7545

Email: att@ep@aol.com

Deeded name of property:

As per branding package plans  
submitted and approved by Owner  
dated 2/5/2021.

Dunkin' | 82 Bridge Road, Haddam, CT 06438 | NextGen Branding Package | March 2, 2021

---

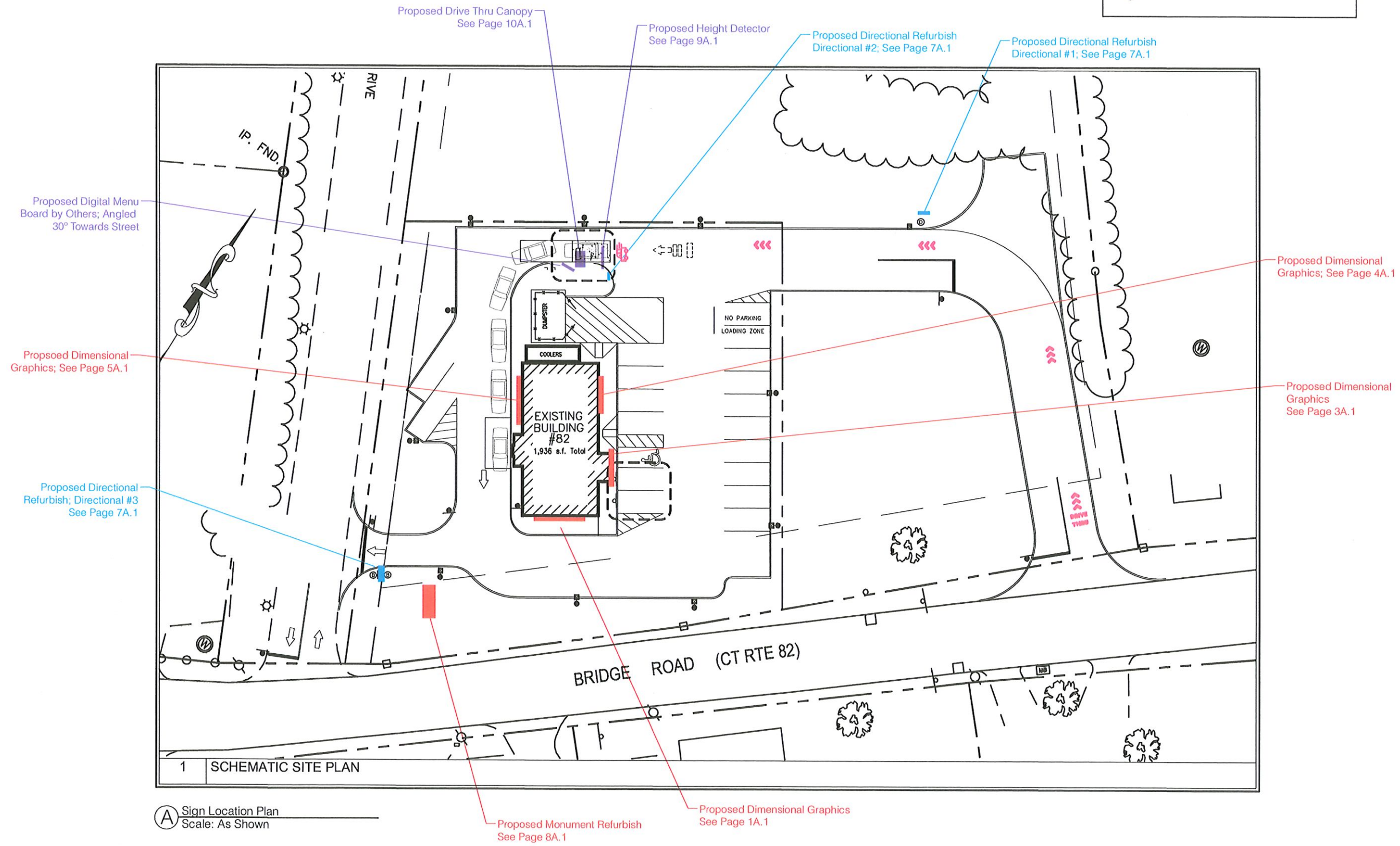
RECEIVED  
MAR 3 - 2021  
RECEIVED

**Poyant**  
Building Your Brand

**Existing Sqaure Footage:**  
 Existing Front Wall Sign = 21.58 sqft.  
 Existing Entrance Side Sign = 10.83 sqft.  
 Existing DT Awning Face = 35 sqft.  
 Total: 67.41 sqft.

**New Sqaure Footage:**  
 Dunkin' Dimensional Graphics = 12.79 sqft.  
 DD Dimensional Graphics = 5.34 sqft.  
 Something Fresh Dimensional Graphics = 28.66 sqft.  
 Haddam Runs Dimensional Graphics = 6.84 sqft.  
 Total: 53.63 sqft.

| Sign Type Key                         |                               |
|---------------------------------------|-------------------------------|
| <span style="color: red;">●</span>    | Building/Ground Signage       |
| <span style="color: blue;">●</span>   | Regulatory/Wayfinding Signage |
| <span style="color: purple;">●</span> | Drive Thru Elements           |



125 Samuel Barnet Boulevard  
 New Bedford, MA 02745  
 800.544.0961 | poyantsigns.com



82 Bridge Road  
 Haddam, CT 06438

Project: 19183  
 Dunkin'

Sales: Bill Gavigan Jr.  
 Date: 2.5.21  
 Designer: RMA

**Note:**  
 This is an original unpublished drawing created by Poyant Signs, Inc. It is submitted for your personal use in connection with a project being planned for you by Poyant Signs, Inc. It is not to be shown to anyone outside your organization, nor is it to be reproduced, copied or exhibited in any fashion until transferred.

**Revisions:**  
 2.9.21 RMA (R1) Dimensional to Channel Letters  
 3.2.21 RMA (R2) Change of Scope



This sign is intended to be installed in accordance with the requirements of Article 600 of the National Electrical Code and / or other applicable local codes. This includes proper grounding and bonding of the sign.

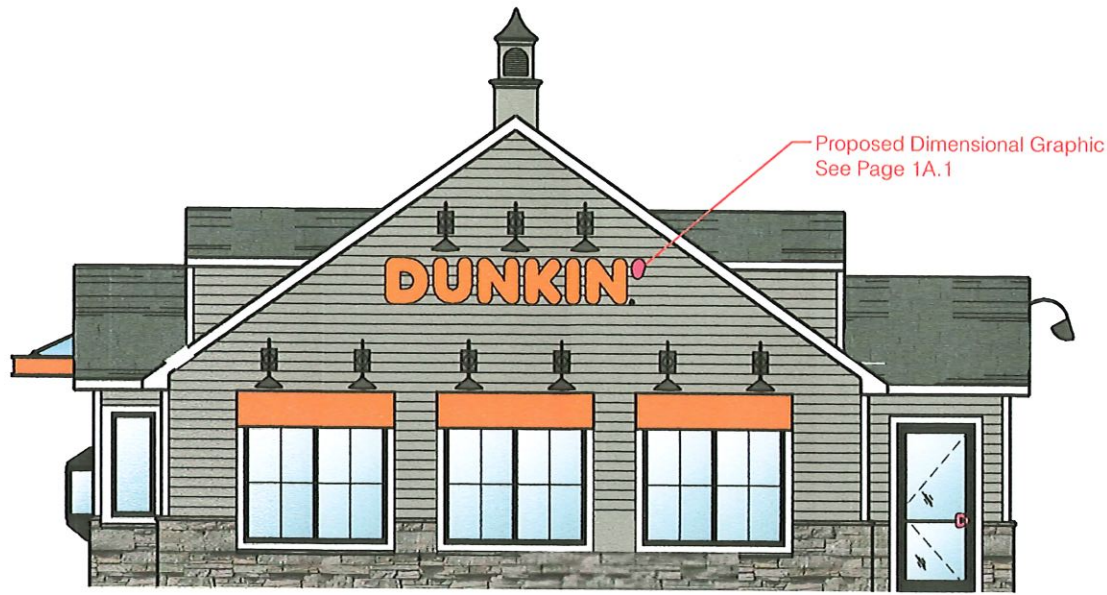


All Signage Shown is Covered by Poyant's Exclusive DD Franchise 3 Year Brand Identity Warranty Program

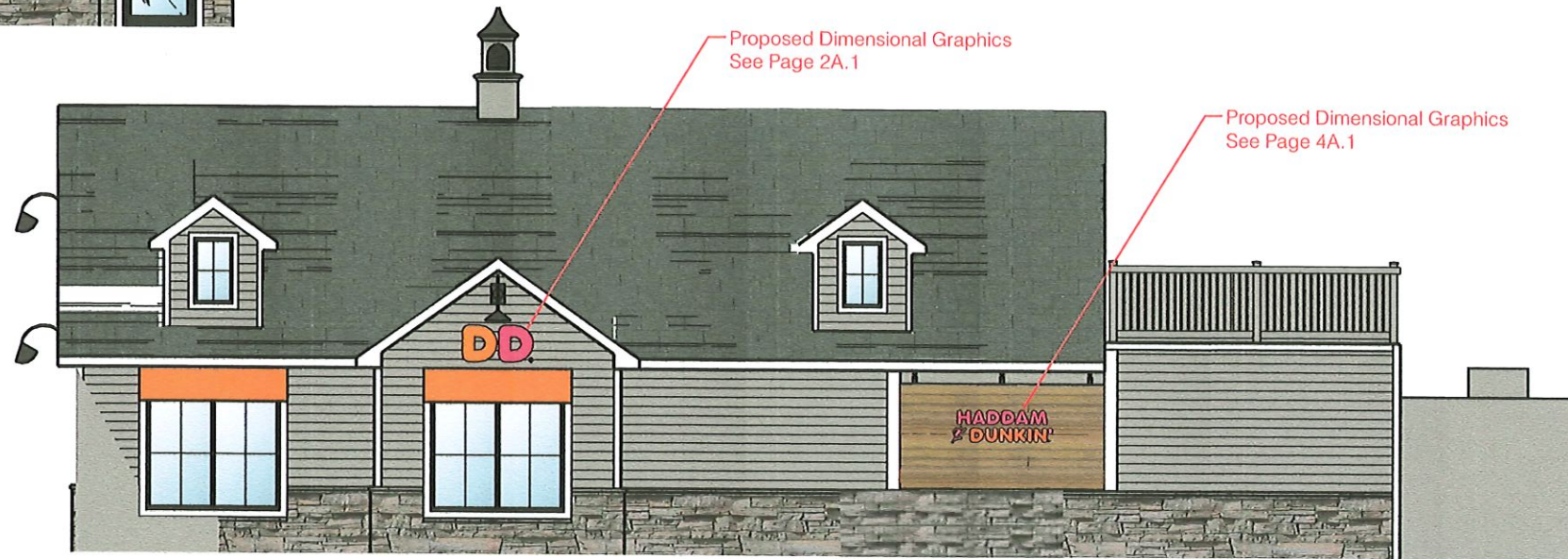
Approved By:

Date:

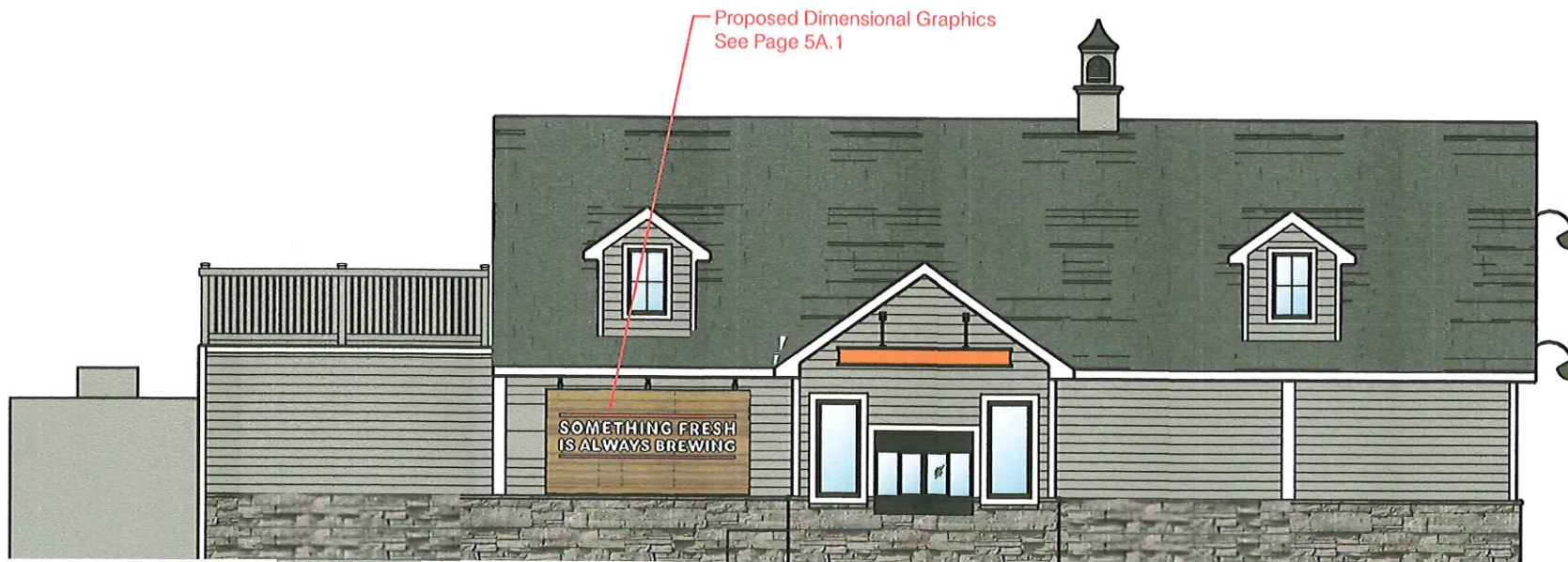
Sign Location Plan



**A** Proposed East Elevation  
Scale: 1/8"=1'-0"



**B** Proposed North Elevation  
Scale: 1/8"=1'-0"



**C** Proposed South Elevation  
Scale: 1/8"=1'-0"



Address  
City, State, Zip

Project: 18823  
Dunkin'

Sales: Bill Gavigan Jr.  
Date: 11.25.20  
Designer: RMA

**Note:**  
This is an original unpublished drawing created by Poyant Signs, Inc. It is submitted for your personal use in connection with a project being planned for you by Poyant Signs, Inc. It is not to be shown to anyone outside your organization, nor is it to be reproduced, copied or exhibited in any fashion until transferred.

**Revisions:**  
3.2.21 RMA (R2) Added to Package



This sign is intended to be installed in accordance with the requirements of Article 600 of the National Electrical Code and / or other applicable local codes. This includes proper grounding and bonding of the sign.

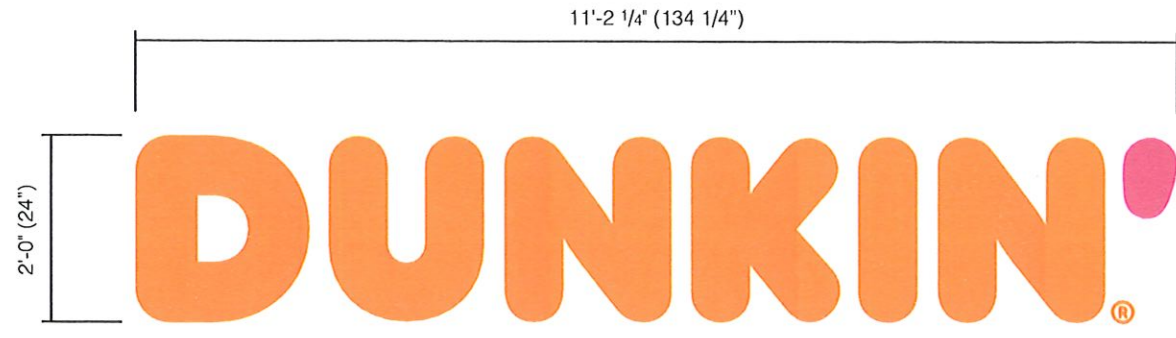


All Signage Shown is Covered by Poyant's Exclusive DD Franchise 3 Year Brand Identity Warranty Program

Approved By:

Date:

Proposed Elevations



**A** Sign Elevation - Front View  
Scale: 1/2"=1'-0"

Sign Code: DD-BS-12-Md



**B** Sign Elevation - Side Views  
Scale: 1/2"=1'-0"

Specifications

Qty: 1 12.79 Sq Ft

Dimensional Graphics

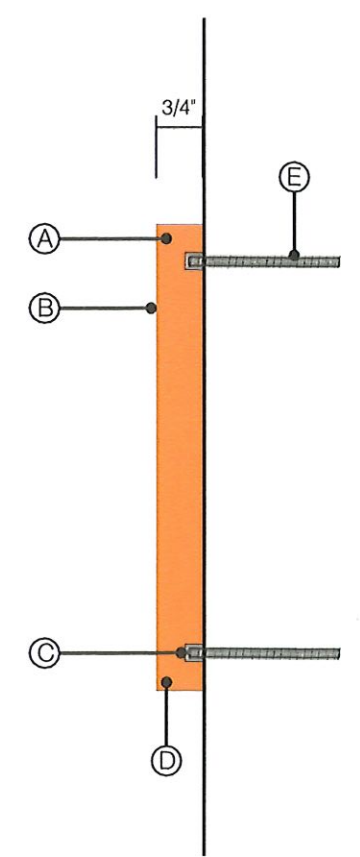
- 3/4" deep routed white PVC
- "Dunkin" to have face and returns painted PMS 165C
- All other graphics to have faces and returns painted PMS 219C

Colors & Materials

Paint

- Paint to Match PMS 219C; Gloss Finish
- Paint to Match PMS 165C; Gloss Finish

- A** 3/4" Thick White PVC
- B** Face Painted
- C** Threaded Nutsert to Receive Threaded Rod
- D** Returns Painted
- E** 1/4-20 Stainless Steel Threaded Rod for Installation; Drill Hole in Wall & Fill with Silicone



**C** Construction Detail - Side Section View  
Not to Scale



125 Samuel Barnet Boulevard  
New Bedford, MA 02745  
800.544.0961 | poyantsigns.com



82 Bridge Road  
Haddam, CT 06438

Project: 19183  
Dunkin'

Sales: Bill Gavigan Jr.  
Date: 2.5.21  
Designer: RMA

**Note:**  
This is an original unpublished drawing created by Poyant Signs, Inc. It is submitted for your personal use in connection with a project being planned for you by Poyant Signs, Inc. It is not to be shown to anyone outside your organization, nor is it to be reproduced, copied or exhibited in any fashion until transferred.

**Revisions:**  
2.9.21 RMA (R1) Dimensional to Channel Letters  
3.2.21 RMA (R2) Channel Letters to Dimensional Graphic



This sign is intended to be installed in accordance with the requirements of Article 600 of the National Electrical Code and / or other applicable local codes. This includes proper grounding and bonding of the sign.



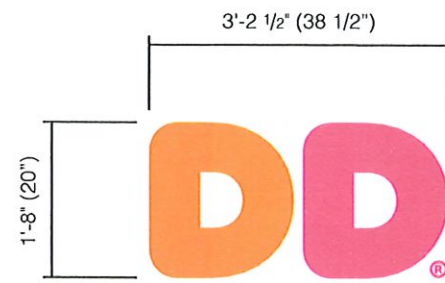
All Signage Shown is Covered by Poyant's Exclusive DD Franchise 3 Year Brand Identity Warranty Program

Approved By:

Date:

Dimensional Graphics

Option A



(A) Sign Elevation - Front View  
Scale: 1/2"=1'-0"



(B) Sign Elevation - Side Views  
Scale: 1/2"=1'-0"

Specifications

Qty: 1 5.34 Sq Ft

Dimensional Graphics

- 3/4" deep routed white PVC
- "Dunkin" to have face and returns painted PMS 165C
- All other graphics to have faces and returns painted PMS 219C

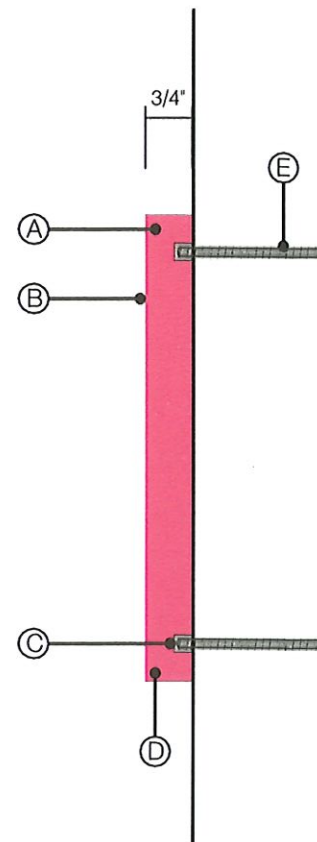
Colors & Materials

Paint

- Paint to Match PMS 219C; Gloss Finish
- Paint to Match PMS 165C; Gloss Finish

- (A) 3/4" Thick White PVC
- (B) Face Painted
- (C) Threaded Nutsert to Receive Threaded Rod
- (D) Returns Painted
- (E) 1/4-20 Stainless Steel Threaded Rod for Installation; Drill Hole in Wall & Fill with Silicone

(C) Construction Detail - Side Section View  
Not to Scale



125 Samuel Barnett Boulevard  
New Bedford, MA 02745  
800.544.0961 | poyantsigns.com



82 Bridge Road  
Haddam, CT 06438

Project: 19183  
Dunkin'

Sales: Bill Gavigan Jr.  
Date: 2.5.21  
Designer: RMA

**Note:**  
This is an original unpublished drawing created by Poyant Signs, Inc. It is submitted for your personal use in connection with a project being planned for you by Poyant Signs, Inc. It is not to be shown to anyone outside your organization, nor is it to be reproduced, copied or exhibited in any fashion until transferred.

**Revisions:**  
2.9.21 RMA (R1) Dimensional to Channel Letters  
3.2.21 BMA (R2) Change of Scope



This sign is intended to be installed in accordance with the requirements of Article 600 of the National Electrical Code and / or other applicable local codes. This includes proper grounding and bonding of the sign.



All Signage Shown is Covered by Poyant's Exclusive DD Franchisee 3 Year Brand Identity Warranty Program

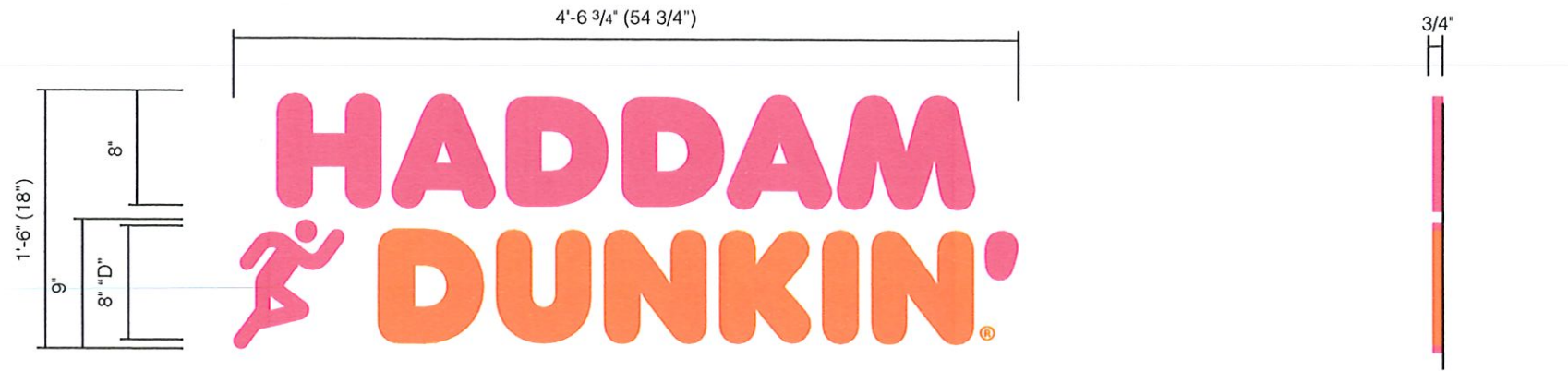
Approved By:

Date:

Dimensional Graphics

Option A





**(A) Sign Elevation - Front View**  
Scale: 1"=1'-0"

**(B) Sign Elevation - Side View**  
Scale: 1"=1'-0"

Sign Code: DD-BS-05-Sm

**Specifications**

Qty: 1 4.5 Sq Ft

**Dimensional Graphics**

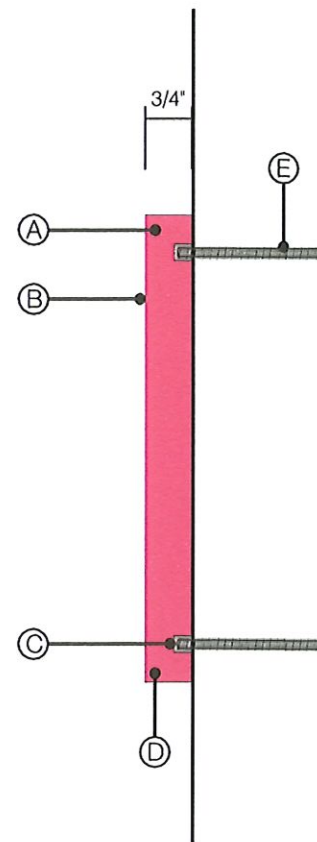
- 3/4" deep routed white PVC
- "Dunkin" to have face and returns painted PMS 165C
- All other graphics to have faces and returns painted PMS 219C

**Colors & Materials**

**Paint**

- Paint to Match PMS 219C; Gloss Finish
- Paint to Match PMS 165C; Gloss Finish

- (A)** 3/4" Thick White PVC
- (B)** Face Painted
- (C)** Threaded Nutsert to Receive Threaded Rod
- (D)** Returns Painted
- (E)** 1/4-20 Stainless Steel Threaded Rod for Installation; Drill Hole in Wall & Fill with Silicone



**(C) Construction Detail - Side Section View**  
Not to Scale



125 Samuel Barnet Boulevard  
New Bedford, MA 02745  
800.544.0961 | poyant.com



82 Bridge Road  
Haddam, CT 06438

Project: 19183  
Dunkin'

Sales: Bill Gavigan Jr.  
Date: 2.5.21  
Designer: RMA

**Note:**  
This is an original unpublished drawing created by Poyant Signs, Inc. It is submitted for your personal use in connection with a project being planned for you by Poyant Signs, Inc. It is not to be shown to anyone outside your organization, nor is it to be reproduced, copied or exhibited in any fashion until transferred.

**Revisions:**

|  |
|--|
|  |
|  |
|  |
|  |



This sign is intended to be installed in accordance with the requirements of Article 600 of the National Electrical Code and / or other applicable local codes. This includes proper grounding and bonding of the sign.



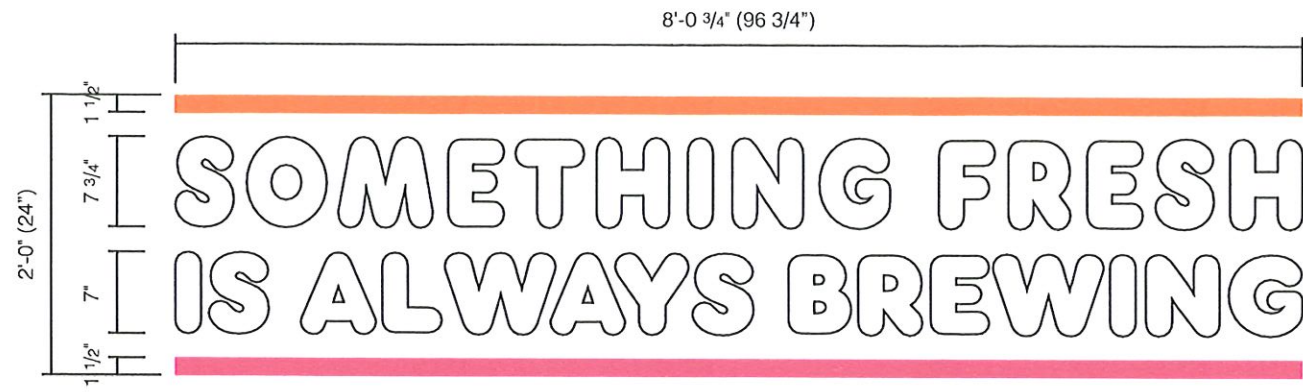
All Signage Shown is Covered by Poyant's Exclusive DD Franchisee 3 Year Brand Identity Warranty Program

Approved By: \_\_\_\_\_

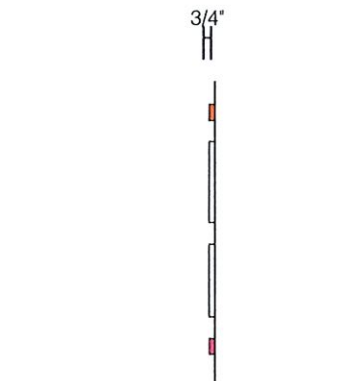
Date: \_\_\_\_\_

Dimensional Graphics

Option A



**A** Sign Elevation - Front View  
Scale: 3/4"=1'-0"



**B** Sign Elevation - Side View  
Scale: 1/2"=1'-0"

Sign Code: DD-BS-06-SM

Specifications

Qty: 1 28.66 Sq Ft

Dimensional Graphics

Letters:

- 3/4" deep routed PVC
- Returns and faces painted white
- Stud mounted flush to existing fascia

Accent Lines:

- 3/4" deep routed PVC
- Returns and faces painted PMS 165C or PMS 219
- Stud mounted flush to existing fascia

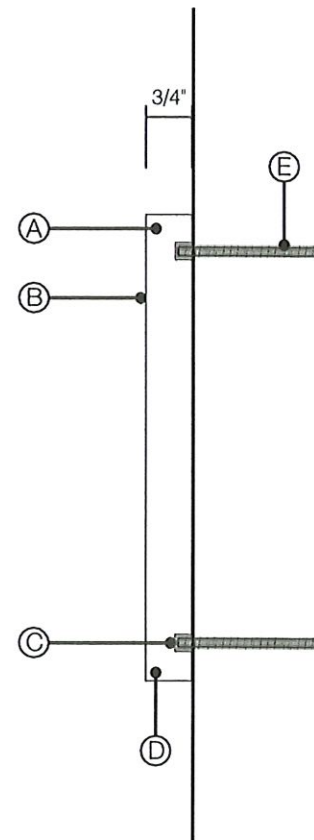
Colors & Materials

Paint

- Paint to Match PMS 219C; Gloss Finish
- Paint to Match PMS 165C; Gloss Finish
- White; Gloss Finish

- A** 3/4" Thick White PVC
- B** Face Painted
- C** Threaded Nutsert to Receive Threaded Rod
- D** Returns Painted
- E** Long 1/4-20 Stainless Steel Threaded Rod for installation; Drill Hole in Wall & Fill with Silicone

**C** Construction Detail - Side Section View  
Not to Scale



125 Samuel Bernet Boulevard  
New Bedford, MA 02745  
800.544.0961 | poyantsigns.com



82 Bridge Road  
Haddam, CT 06438

Project: 19183  
Dunkin'

Sales: Bill Gavigan Jr.  
Date: 2.5.21  
Designer: RMA

**Note:**  
This is an original unpublished drawing created by Poyant Signs, Inc. It is submitted for your personal use in connection with a project being planned for you by Poyant Signs, Inc. It is not to be shown to anyone outside your organization, nor is it to be reproduced, copied or exhibited in any fashion until transferred.

Revisions:

\_\_\_\_\_

\_\_\_\_\_

\_\_\_\_\_



This sign is intended to be installed in accordance with the requirements of Article 600 of the National Electrical Code and / or other applicable local codes. This includes proper grounding and bonding of the sign.

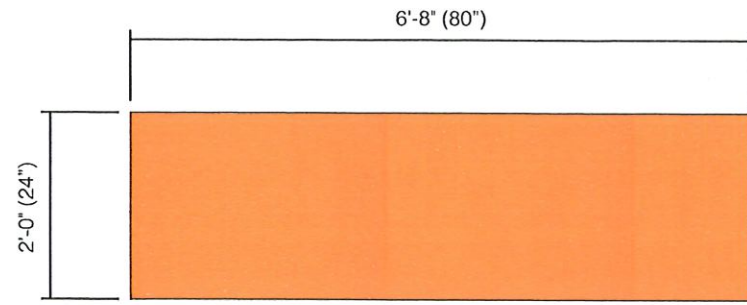


All Signage Shown is Covered by Poyant's Exclusive DD Franchisee 3 Year Brand Identity Warranty Program

Approved By: \_\_\_\_\_

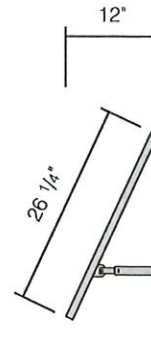
Date: \_\_\_\_\_

Dimensional Graphics  
Option A



**A** Sign Elevation - Front View  
Scale: 1/2"=1'-0"

Qty 5



**B** Sign Elevation - Side View  
Scale: 1/2"=1'-0"

Specifications

Qty = 5 Total

Non Illuminated Awnings

- Aluminum tube awning structure; mill finish
- Solid orange awning material; stainless steel screw at ends of beading
- Open ends
- Mounting arm to be 18" telescoping arms approx every 3'-0"
- Attach to existing fascia with Z-clips as required

Colors & Materials

Awning Material

 Arlon DD Solid Orange



125 Samuel Barnett Boulevard  
New Bedford, MA 02745  
800.544.0961 | poyantsigns.com



82 Bridge Road  
Haddam, CT 06438

Project: 19183  
Dunkin'

Sales: Bill Gavigan Jr.  
Date: 2.5.21  
Designer: RMA

Note:  
This is an original unpublished drawing created by Poyant Signs, Inc. It is submitted for your personal use in connection with a project being planned for you by Poyant Signs, Inc. It is not to be shown to anyone outside your organization, nor is it to be reproduced, copied or exhibited in any fashion until transferred.

Revisions:

|  |
|--|
|  |
|  |
|  |
|  |



This sign is intended to be installed in accordance with the requirements of Article 600 of the National Electrical Code and / or other applicable local codes. This includes proper grounding and bonding of the sign.



All Signage Shown is Covered by Poyant's Exclusive DD Franchisee 3 Year Brand Identity Warranty Program

Approved By:

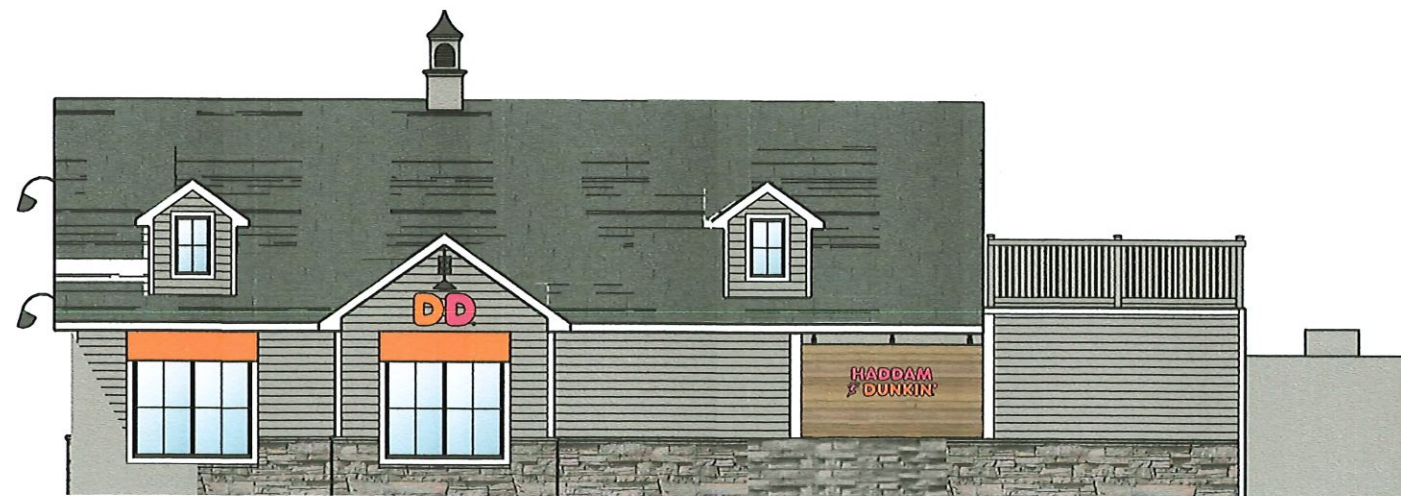
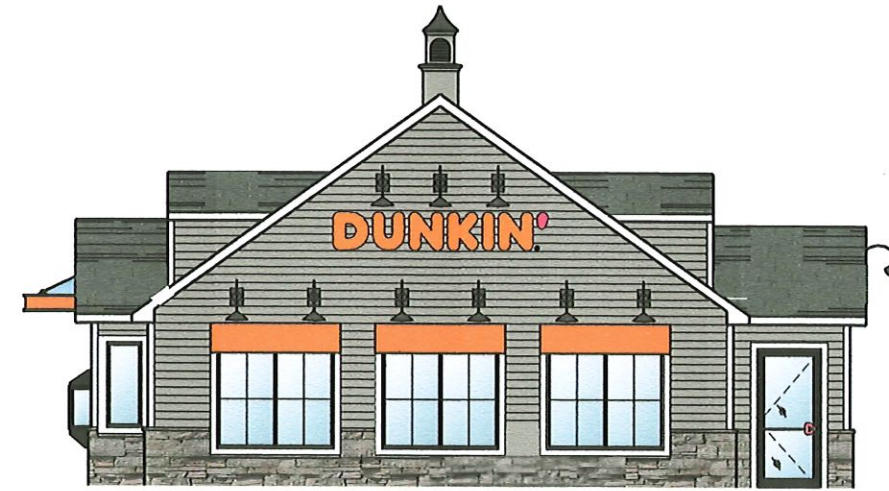
Date:

Awning

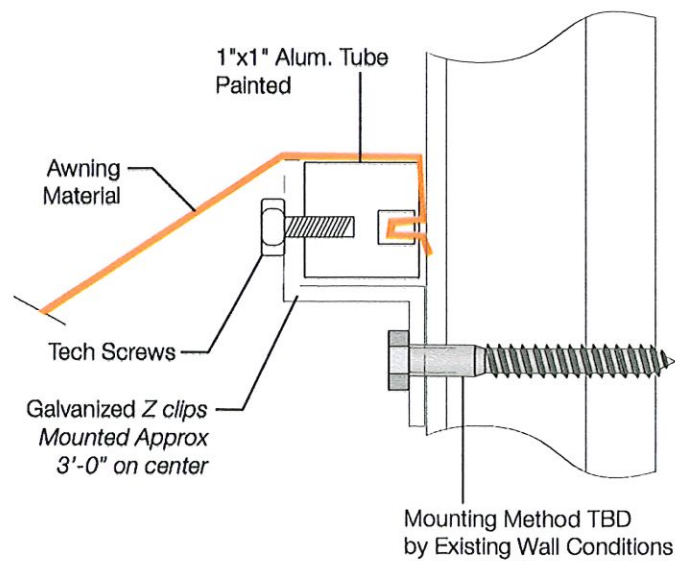
Option B

Sign Type 19193.6B

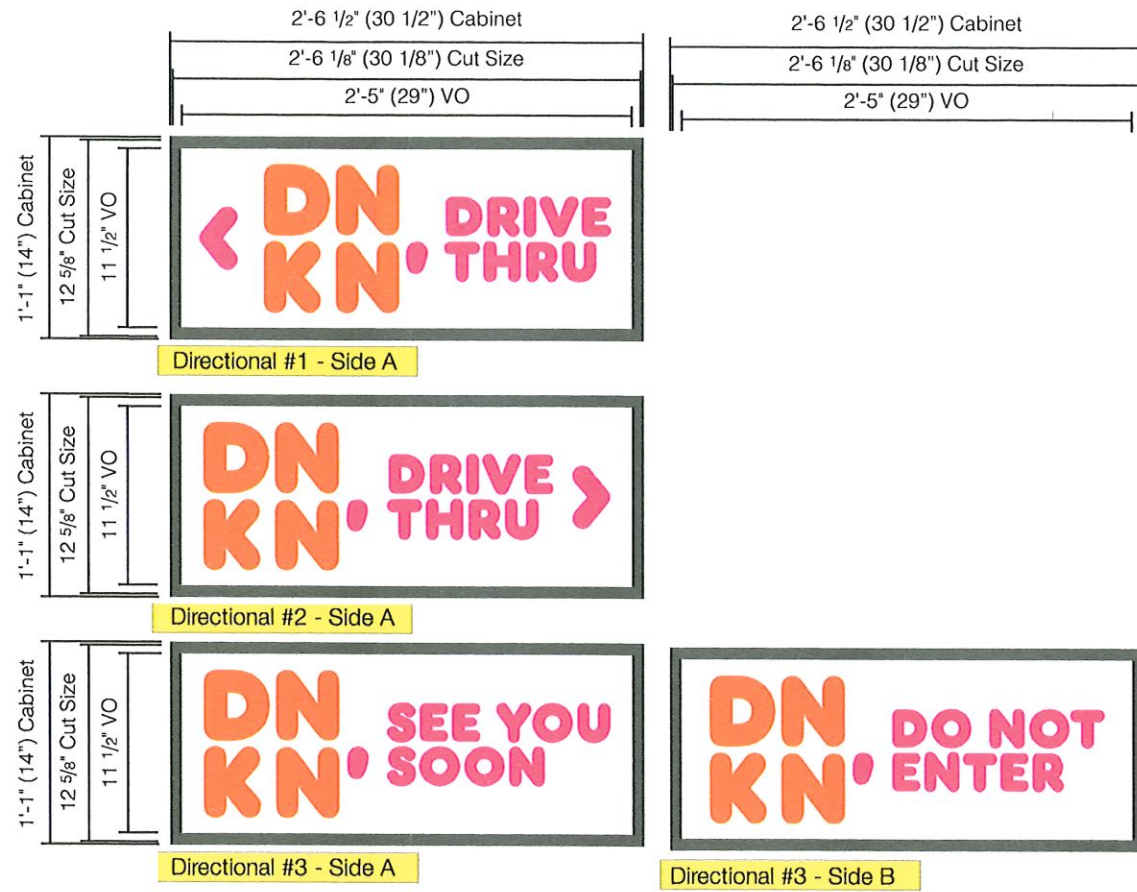
6B.1  
1 of 1



**D** Photo Comp - Proposed  
Not to Scale



**C** Awning Detail  
Not to Scale



**A** Sign Elevation - Front View  
Scale: 1"=1'-0"

**Specifications**

Qty = 3 2.96 Sq Ft

Refurbish Existing Directional

- \*Remove and dispose of existing directional faces
- \* Remove and dispose of existing lamps and ballasts
- \*Existing cabinets, retainers and poles to be sanded and painted Westcott Navy in field

- (Qty: 8) New directional faces to be 0.118" clear solar grade polycarbonate with full coverage digital print applied 2nd surface
- New LED Illumination with Corresponding Power Supplies

**Colors & Materials**

**Digital Print**

|  |       |  |
|--|-------|--|
|  | Qty 1 | Qty - See Each<br>30 1/2" x 13 1/2"<br>Translucent Digital Print for<br>2nd Surface Application. |
|  | Qty 1 | PMS 165C   |
|  | Qty 1 | PMS 219C   |
|  | Qty 1 | PMS 7540C  |
|  | Qty 1 | White  |

**Paint in Field**

Westcott Navy; Satin Finish  
 Benjamin Moore 1624



125 Samuel Barnet Boulevard  
New Bedford, MA 02745  
800.544.0961 | poyant.com



82 Bridge Road  
Haddam, CT 06438

Project: 19183  
Dunkin'

Sales: Bill Gavigan Jr.  
Date: 2.5.21  
Designer: RMA

**Note:**  
This is an original unpublished drawing created by Poyant Signs, Inc. It is submitted for your personal use in connection with a project being planned for you by Poyant Signs, Inc. It is not to be shown to anyone outside your organization, nor is it to be reproduced, copied or exhibited in any fashion until transferred.

**Revisions:**

|  |
|--|
|  |
|  |
|  |
|  |



This sign is intended to be installed in accordance with the requirements of Article 600 of the National Electrical Code and / or other applicable local codes. This includes proper grounding and bonding of the sign.



All Signage Shown is Covered by Poyant's Exclusive DD Franchise 3 Year Brand Identity Warranty Program

Approved By: \_\_\_\_\_

Date: \_\_\_\_\_

Refurbish Existing Directional

Option A



**A** Photo Comp - Existing (Directional 1)  
Not to Scale

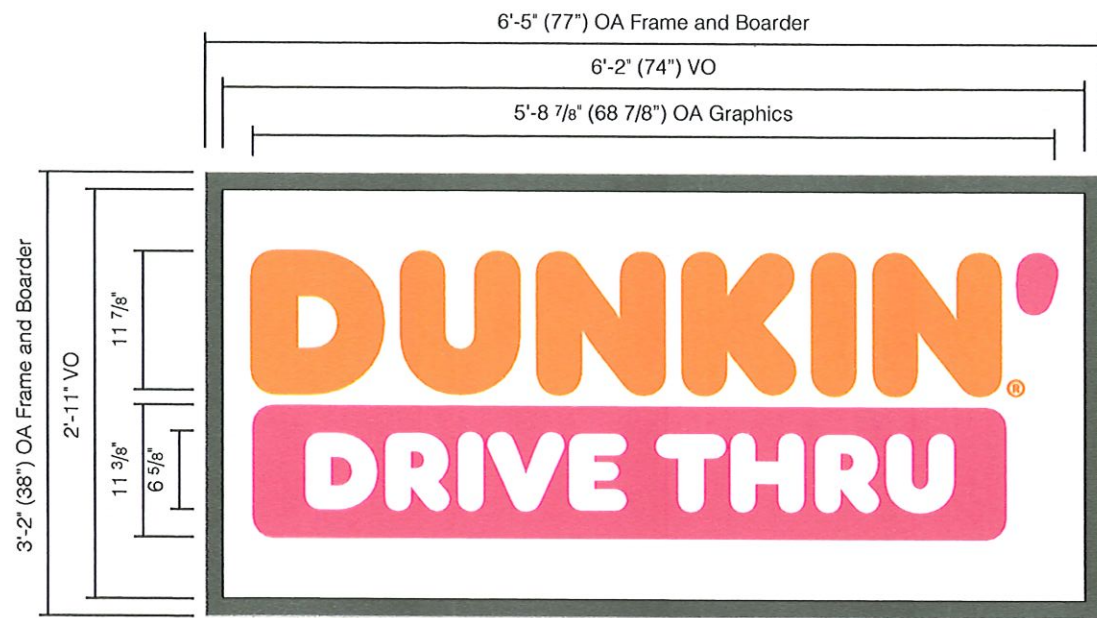
**B** Photo Comp - Proposed (Directional 1)  
Not to Scale

**C** Photo Comp - Existing (Directional 2)  
Not to Scale

**D** Photo Comp - Proposed (Directional 2)  
Not to Scale

**E** Photo Comp - Existing (Directional 3)  
Not to Scale

**F** Photo Comp - Proposed (Directional 3)  
Not to Scale



**A** Sign Elevation - Front View  
Scale: 3/4"=1'-0"



**B** Sign Elevation - Side View  
Scale: 3/4"=1'-0"

**Specifications**

Qty = 1

20.31 Sq Ft

**Refurbish Existing Monument**

**Backer and Boarder**

- Backer Panel to be 1 1/2 x 1 1/2" x 3/16" angle frame clad with .090 aluminum masked and painted white and PMS 7540C
- Decorative boarder to be 1" white PVC painted to match PMS 7540C
- Boarder to be blind stud mounted flush to backer

\*Designer recommends installing all decorative elements to backer panel; masking VO inside decorative boarder, and painting the entire sign (face and returns) to match PMS 7540C

**Graphics:**





- "Dunkin'" to be 1" PVC with faces and returns painted magenta and orange
- Magenta band to be 1/2" PVC with faces and returns painted magenta
- "Drive Thru" to be 1/2" PVC with faces and returns painted white; fastened to magenta band flush using blind studs
- All other graphics to be blind stud mounted flush to backer

**Mounting:**

- Backer with Graphics to be mounting to existing monument with angle clips as required

**Colors & Materials**

**Paint**

-  to Match PMS 165C; Gloss Finish
-  to Match PMS 219C; Gloss Finish
-  White; Gloss Finish
-  to Match PMS 7540C; Gloss Finish



125 Samuel Barnett Boulevard  
New Bedford, MA 02745  
800.544.0961 | poyant.com



82 Bridge Road  
Haddam, CT 06438

Project: 19183  
Dunkin'

Sales: Bill Gavigan Jr.  
Date: 2.5.21  
Designer: RMA

**Note:**

This is an original unpublished drawing created by Poyant Signs, Inc. It is submitted for your personal use in connection with a project being planned for you by Poyant Signs, Inc. It is not to be shown to anyone outside your organization, nor is it to be reproduced, copied or exhibited in any fashion until transferred.

**Revisions:**

|  |
|--|
|  |
|  |
|  |
|  |



This sign is intended to be installed in accordance with the requirements of Article 600 of the National Electrical Code and / or other applicable local codes. This includes proper grounding and bonding of the sign.



All Signage Shown is Covered by Poyant's Exclusive DD Franchise 3 Year Brand Identity Warranty Program

Approved By: \_\_\_\_\_

Date: \_\_\_\_\_

Refurbish Existing Monument

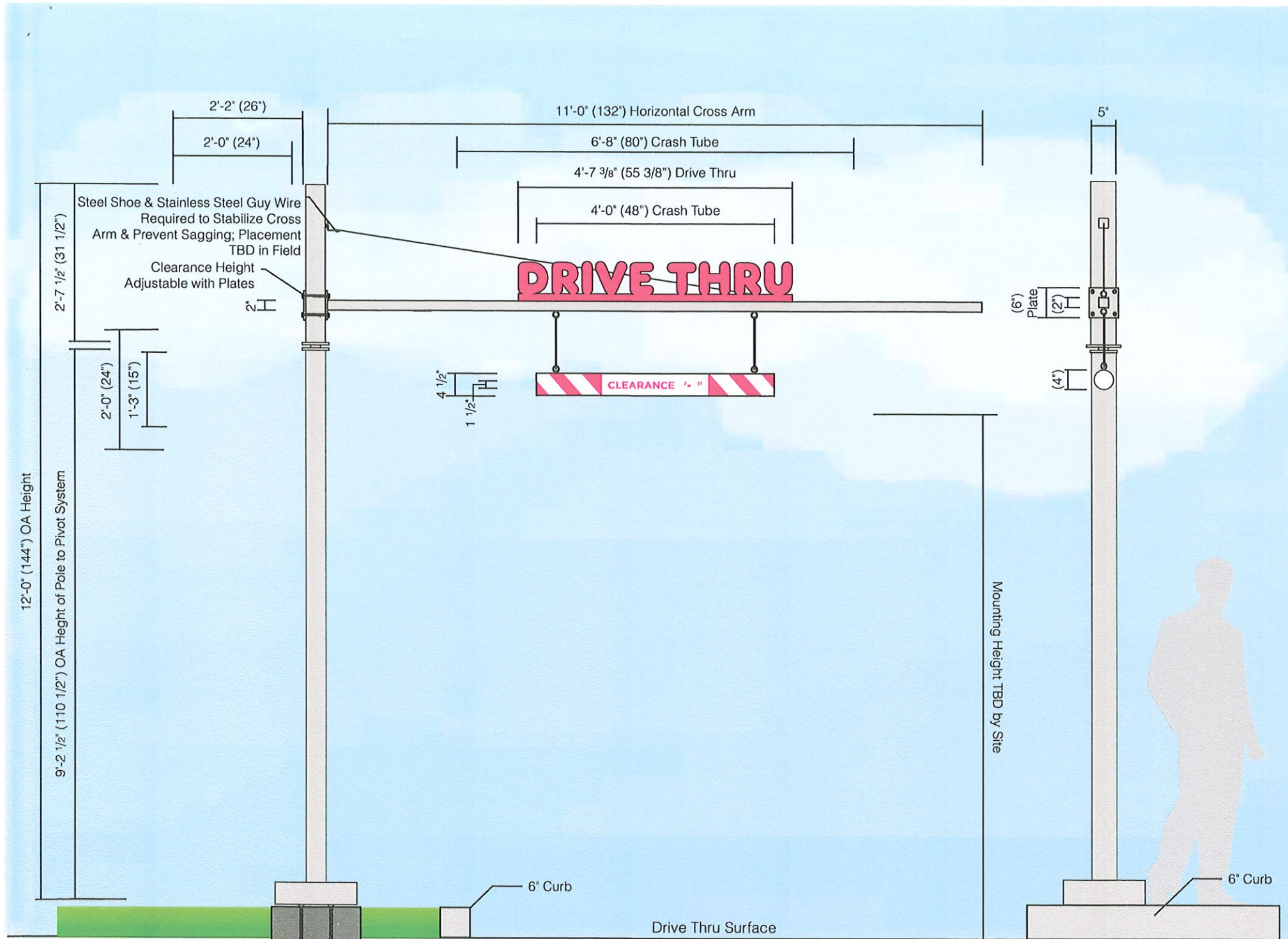
Option A



**C** Photo Comp - Existing  
Not to Scale



**D** Photo Comp - Proposed  
Not to Scale



**A** Sign Elevation - Front View  
Scale: 1/2"=1'-0"

**B** Sign Elevation - Side View  
Scale: 1/2"=1'-0"

**Specifications**

Qty = TBD By Site

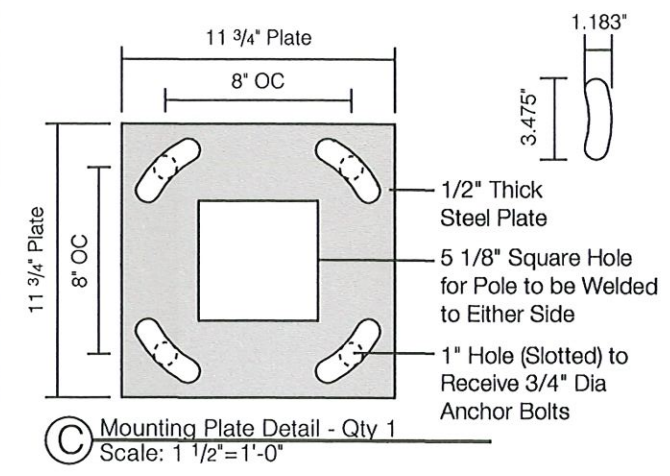
**Single Lane Swing Tube Height Detector**

- Horizontal bar (arm) to be square steel tube; capped at one end; welded to steel plate at other end; painted PMS Cool Gray 1
- "Drive Thru" to be flat cut out and mechanically fastened to horizontal bar; painted orange
- Crash tubes to be 4" dia tube wrapped with white reflective vinyl digital print; cap ends with shipping tube ends
- Crash tubes to attach to horizontal bar (arm) with 1" eyebolts and aircraft cable (cable length will vary per location)
- DD Circle to be routed with 3" return on right side to mechanically fasten to vertical pole; painted PMS Cool Gray 1C
- Vertical support to be 5" x 5" x 1/4" square steel tube; painted PMS Cool Gray 1
- Height Detector manufactured with Swing Away feature if struck by vehicle; gravity will return canopy to aligned position
- Horizontal arm to be adjustable
- Stainless steel guy wire required to stabilize cross arm and prevent sagging
- Plate Cover to be brake formed and painted to match PMS Cool Gray 1C
- Vertical support welded to 11 3/4" x 11 3/4" x 1/2" thick steel mounting plate; painted PMS Cool Gray 1
- Mounting plate to attach to (Qty:4) 3/4" dia. anchor bolts (36" long with 32" embedment)
- Foundation to be 4'-0" deep x 1'-6" wide x 1'-6" windload

\*Clearance to be confirmed per site

**Colors & Materials**

- Paint**
- to Match PMS 219C; Gloss Finish
  - to Match PMS Cool Gray 1; Gloss Finish
- Graphics**
- To Match PMS 165C, Reflective
  - To Match PMS 219C, Reflective
  - White, Reflective



**C** Mounting Plate Detail - Qty 1  
Scale: 1 1/2"=1'-0"



125 Samuel Barnett Boulevard  
New Bedford, MA 02745  
800.544.0961 | poyant.com



82 Bridge Road  
Haddam, CT 06438

Project: 19183  
Dunkin'

Sales: Bill Gavigan Jr.  
Date: 2.5.21  
Designer: RMA

**Note:**  
This is an original unpublished drawing created by Poyant Signs, Inc. It is submitted for your personal use in connection with a project being planned for you by Poyant Signs, Inc. It is not to be shown to anyone outside your organization, nor is it to be reproduced, copied or exhibited in any fashion until transferred.

**Revisions:**

|  |  |
|--|--|
|  |  |
|  |  |
|  |  |
|  |  |



This sign is intended to be installed in accordance with the requirements of Article 600 of the National Electrical Code and / or other applicable local codes. This includes proper grounding and bonding of the sign.



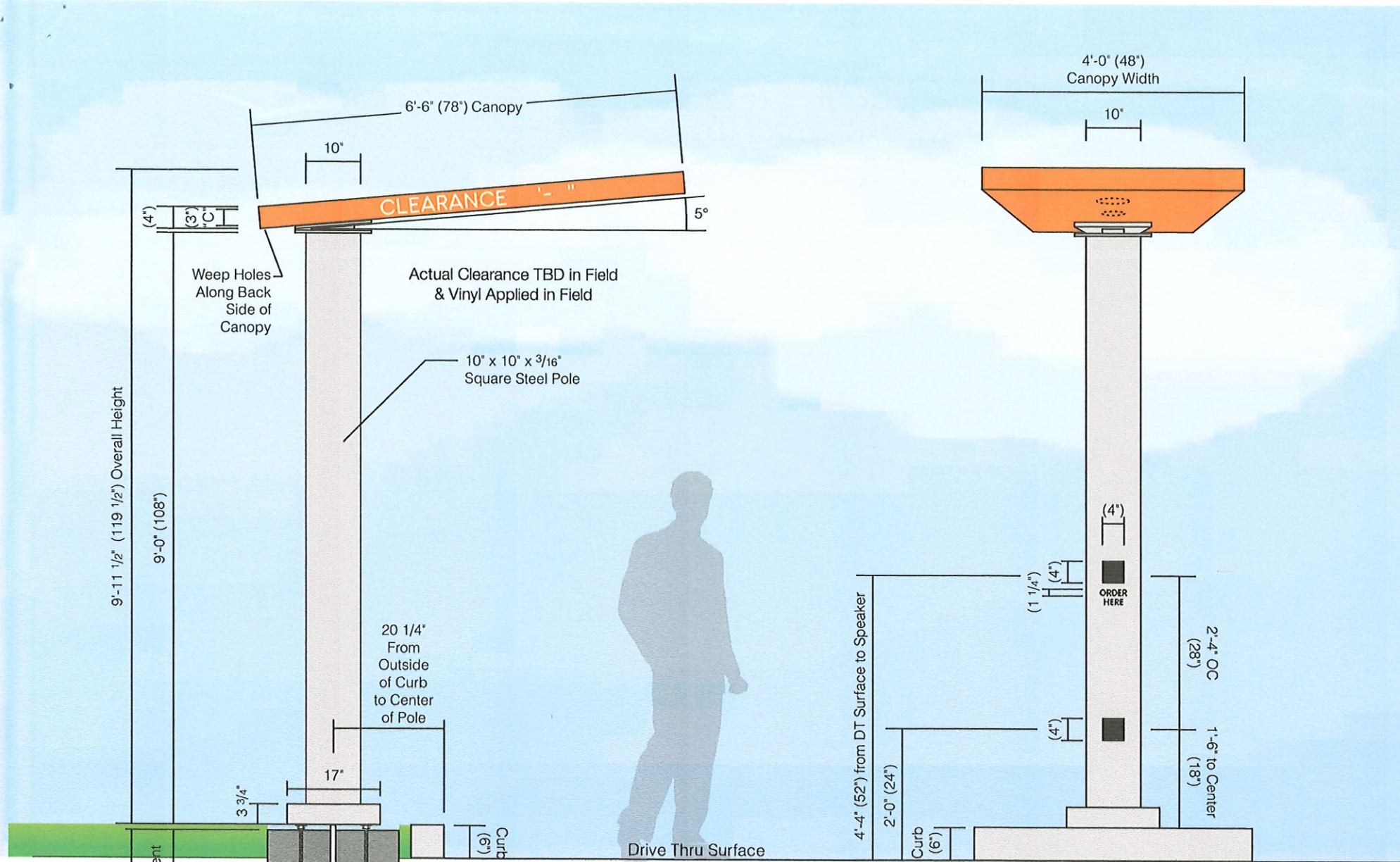
All Signage Shown is Covered by Poyant's Exclusive DD Franchise 3 Year Brand Identity Warranty Program

Approved By:

Date:

Swing Tube Height Detector

Option A



9'-11 1/2" (119 1/2") Overall Height

4'-0" (48") Foundation

Weep Holes Along Back Side of Canopy

Actual Clearance TBD in Field & Vinyl Applied in Field

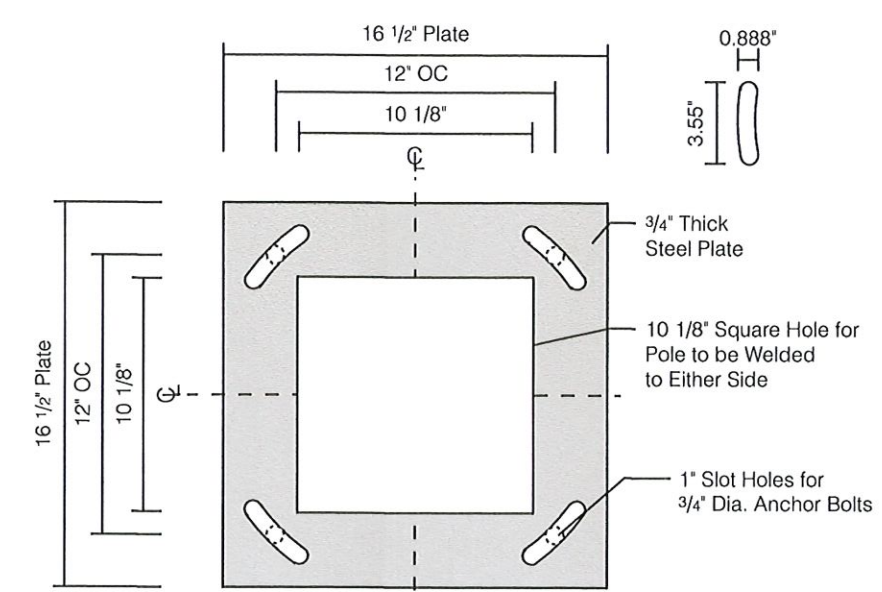
10" x 10" x 3/16" Square Steel Pole

20 1/4" From Outside of Curb to Center of Pole

Drive Thru Surface

**(A) Sign Elevation - Side View (Approach)**  
Scale: 1/2"=1'-0"

**(B) Sign Elevation - Front View**  
Scale: 1/2"=1'-0"



**(C) Mounting Plate Detail**  
Scale: 1 1/2"=1'-0"

**Specifications**

Qty = TBD By Site

**Illuminated Drive Thru Canopy**

- 10" x 10" x 3/16" Square steel pole painted PMS Cool Gray 1C
- Custom fabricated aluminum canopy clad with .063 aluminum with (Qty:2) recessed down light fixtures; painted PMS 165C
- Canopy manufactured with swing away feature if struck by vehicle; gravity return will return canopy to aligned position
- "Clearance" to be white reflective vinyl applied first surface
- (Qty:2) 4" x 4" Square grilles installed in pole and painted to match pole for microphone/speaker assemblies
- (Qty:2) Custom fabricated shelves installed inside pole to house microphone/speaker assemblies
- Foam insulation installed on sides a back of pole around speaker & microphone
- Graphics on pole ("Order Here") to be black opaque vinyl
- Vertical pole to be welded to 16 1/2" x 16 1/2" x 3/4" thick steel mounting plate; painted PMS Cool Gray 1 \*see detail C
- Plate cover to be brake formed .063 aluminum painted PMS Cool Gray 1C
- Mounting plate to attach to (Qty:4) 3/4" dia. anchor bolts (36" long with 32" embedment)
- Foundation to be 4'-0" deep x 2'-0" wide x 2'-0" windload

\*120V TBD in field

\*Clearance to be determined in field and appropriate numbers to be applied in field

**Additional Notes:**

- \*Strongly recommended to secure permit before ordering canopy to confirm local codes are met
- \*Some local ordinances may require signed & sealed engineering documentation to be provided

**Colors & Materials**

**Paint**

- to Match PMS 165C; Gloss Finish
- to Match PMS Cool Gray 1C; Gloss Finish

**Graphics**

- Black; Opaque
- White Reflective



125 Samuel Barnett Boulevard  
New Bedford, MA 02745  
800.544.0961 | poyant.com



82 Bridge Road  
Haddam, CT 06438

Project: 19183  
Dunkin'

Sales: Bill Gavigan Jr.  
Date: 2.5.21  
Designer: RMA

**Note:**  
This is an original unpublished drawing created by Poyant Signs, Inc. It is submitted for your personal use in connection with a project being planned for you by Poyant Signs, Inc. It is not to be shown to anyone outside your organization, nor is it to be reproduced, copied or exhibited in any fashion until transferred.

**Revisions:**

|  |  |
|--|--|
|  |  |
|  |  |
|  |  |
|  |  |

This sign is intended to be installed in accordance with the requirements of Article 600 of the National Electrical Code and / or other applicable local codes. This includes proper grounding and bonding of the sign.

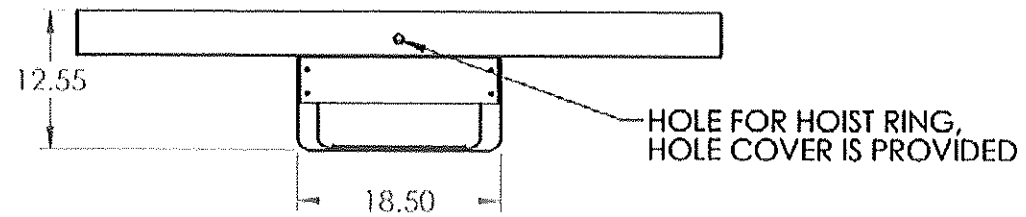
All Signage Shown is Covered by Poyant's Exclusive DD Franchise 3 Year Brand Identity Warranty Program

Approved By: \_\_\_\_\_

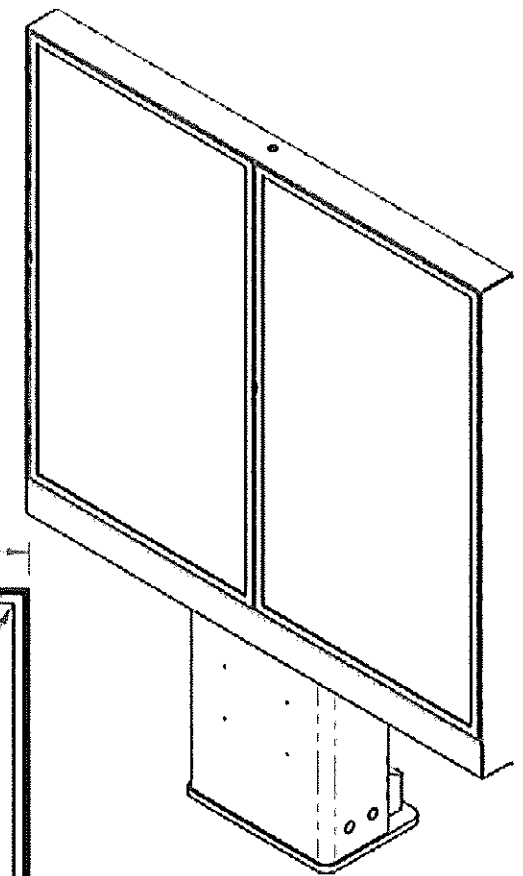
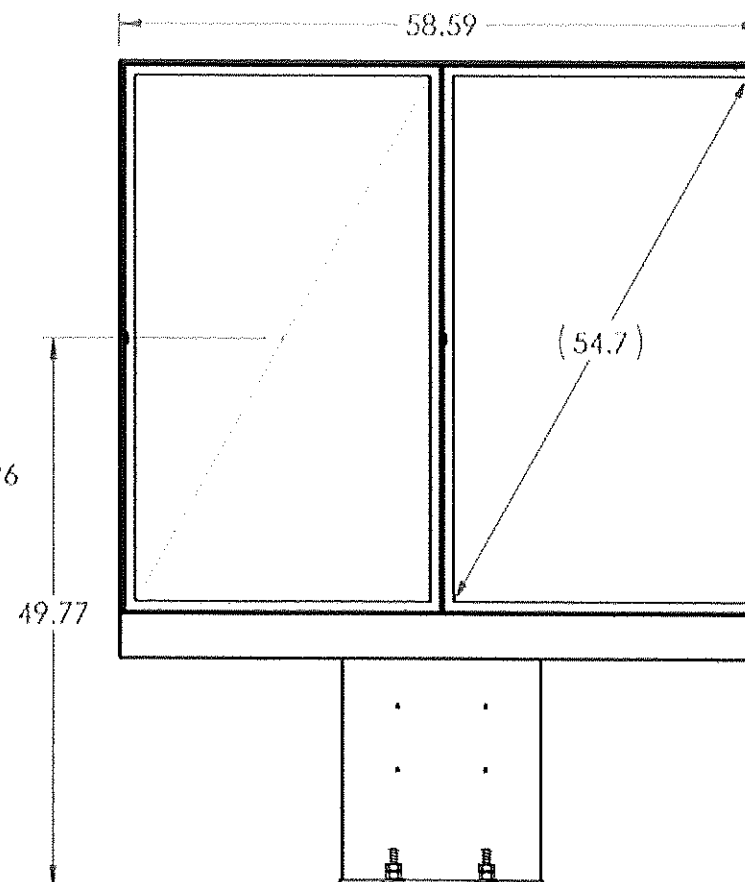
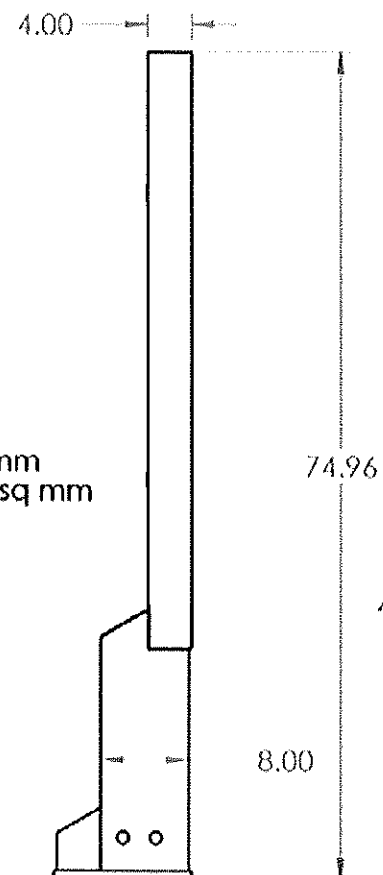
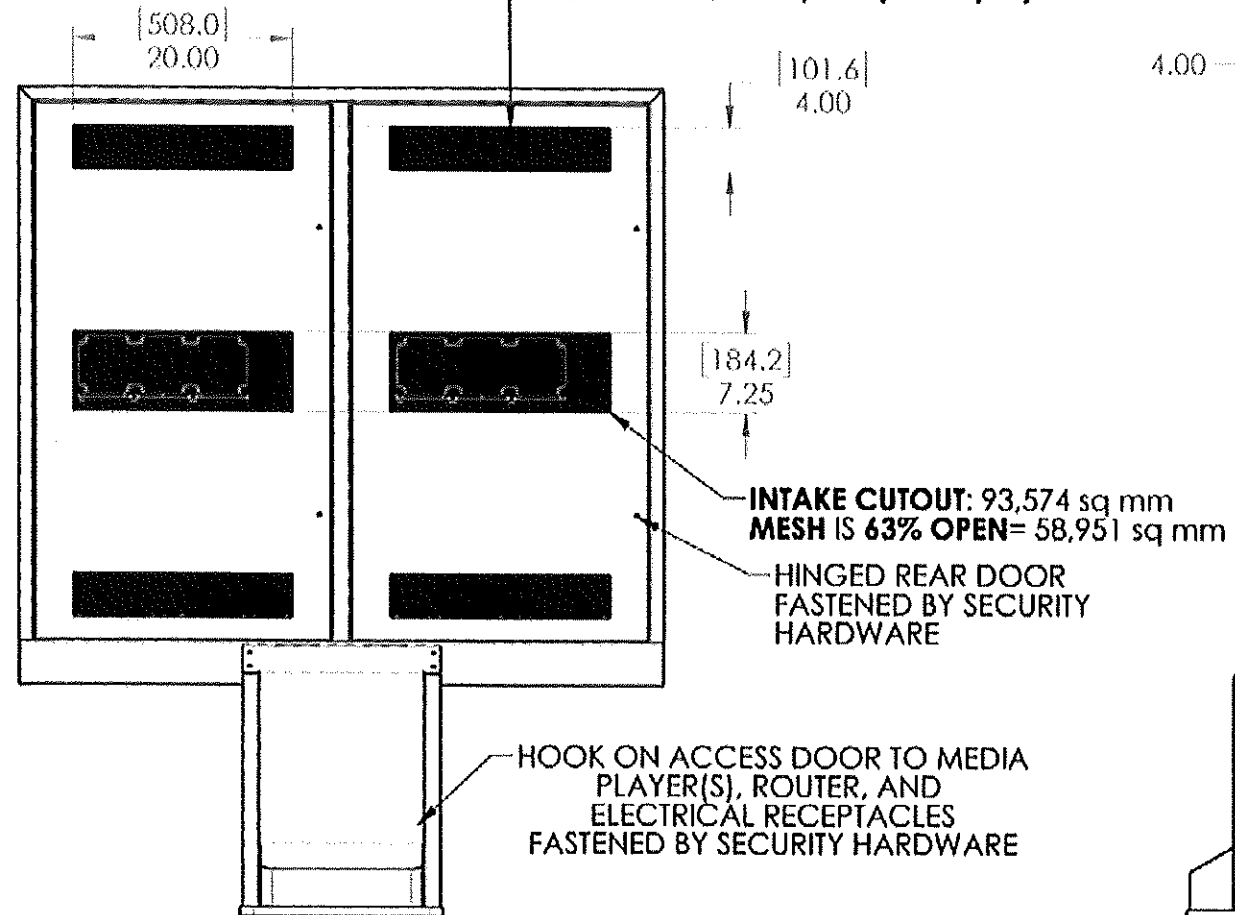
Date: \_\_\_\_\_

Drive Thru Canopy

Option A



**EXHAUST CUTOUT: 51,613 sq mm**  
**MESH IS 63% OPEN= 32,516 sq mm**  
**32,516\*2= 65,032 sq mm per display**



# OH55F 2X1 Menu Board by Others

4'-0" (48") Foundation

2'-0" (24") Foundation

4'-0" (48") Foundation

2'-0" (24") Foundation

(Qty: 3) 1" Electrical Whip  
Confirm Direction with  
with Onsite Electrician  
(Typical, not site specific)

Foundation by Others